

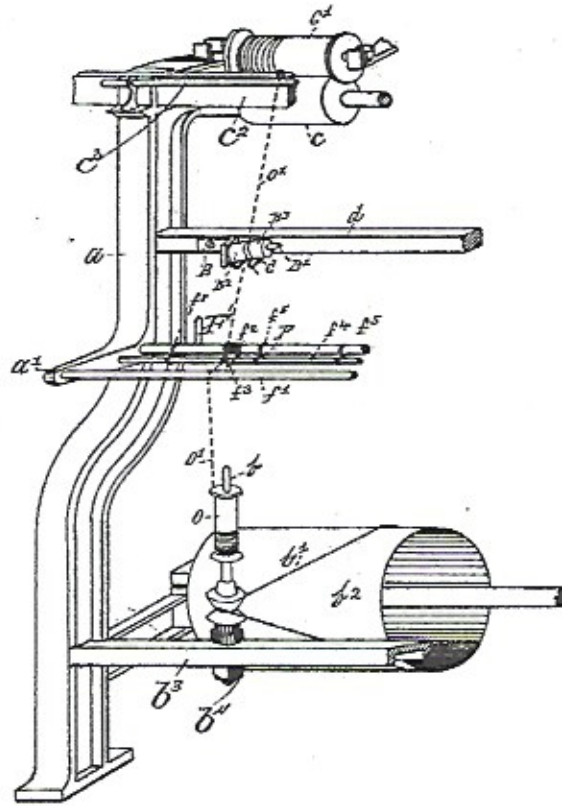
G. SINGLETON.

TENSION DEVICE FOR SILK SPINNING MACHINES.

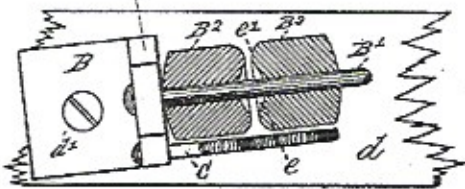
No. 340,631.

Patented Apr. 27, 1886.

Fig 1



B4 Fig 2



Witnesses
 Richard B. Ataly
 Henry L. Marshall

Inventor
 George Singleton
 John English atty